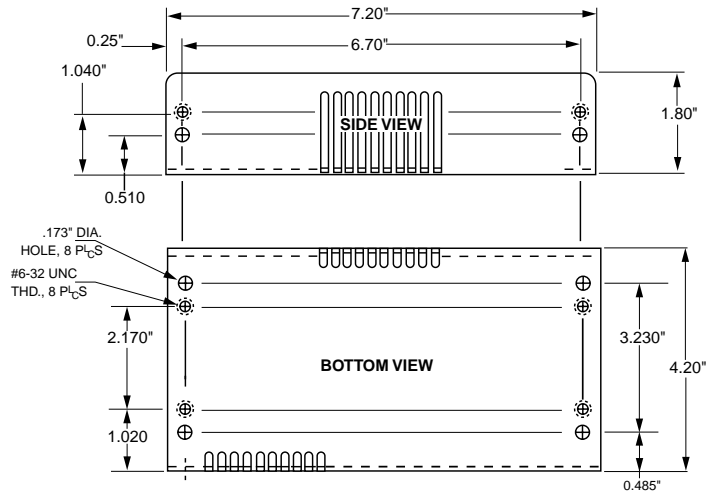
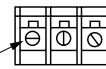


BVS-80



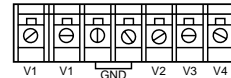
WEIGHT: 1.7 LBS.

A.C. INPUT VIEW



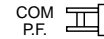
#6-32 WIRE CLAMPS ON .325 CNTRS., 8 PLACES

D.C. OUTPUT VIEW



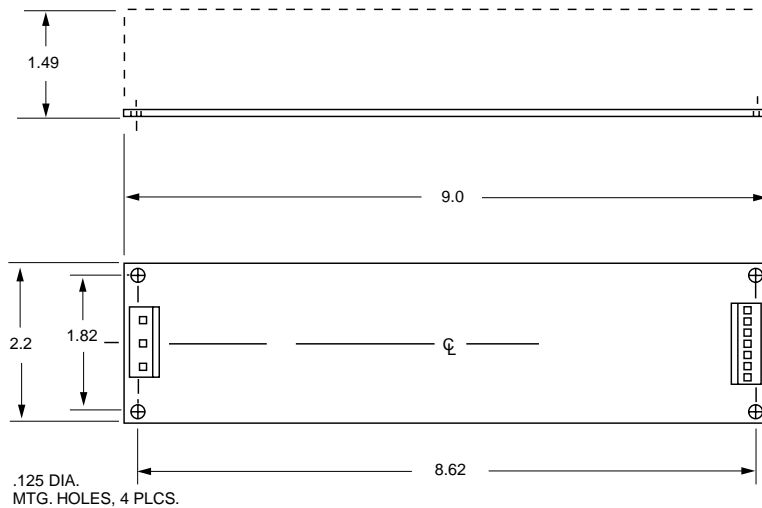
SINGLE OUTPUT MODELS USE V. PINS

BVS-080 POWER FAIL CONNECTOR



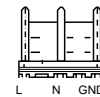
POWER FAIL CONNECTORS MATE WITH MOLEX SERIES 2695

BVS-100



WEIGHT: 1.15 LBS.

A.C. INPUT VIEW

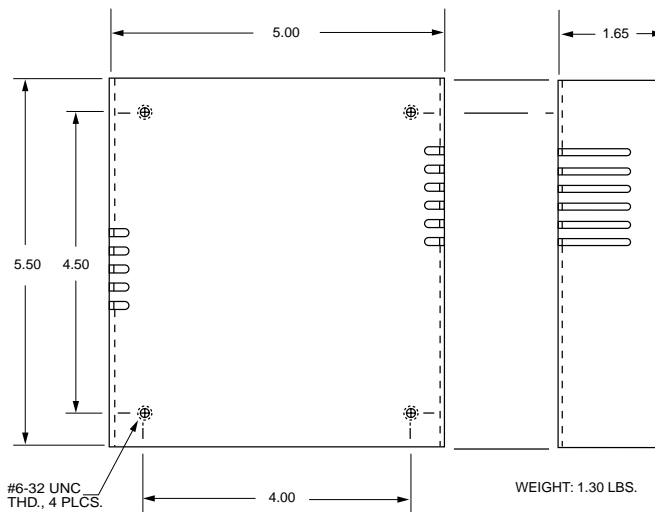


INPUT & OUTPUT CONNECTORS
.045" SQ. PINS, 7 PLACES
.156" PITCH, LOCKING RAMP
MATES WITH MOLEX 2139 SERIES

D.C. OUTPUT VIEW



BVS-180



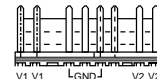
WEIGHT: 1.30 LBS.

A.C. INPUT VIEW

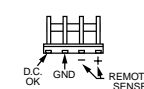


INPUT & OUTPUT CONNECTORS
.045" SQ. PINS, 7 PLACES
.156" PITCH, LOCKING RAMP
MATES WITH MOLEX 2139 SERIES

D.C. OUTPUT VIEW



AUX. OUTPUT VIEW



.025" SQ. PINS, 4 PLACES
.100" PITCH, LOCKING RAMP
MATES WITH MOLEX 2695 SERIES