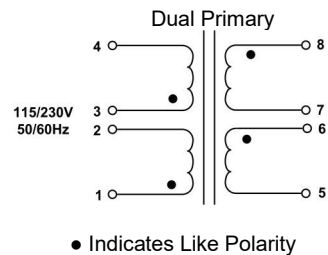
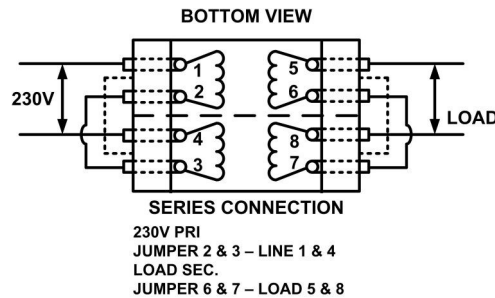
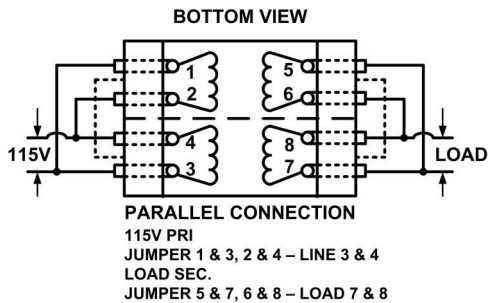
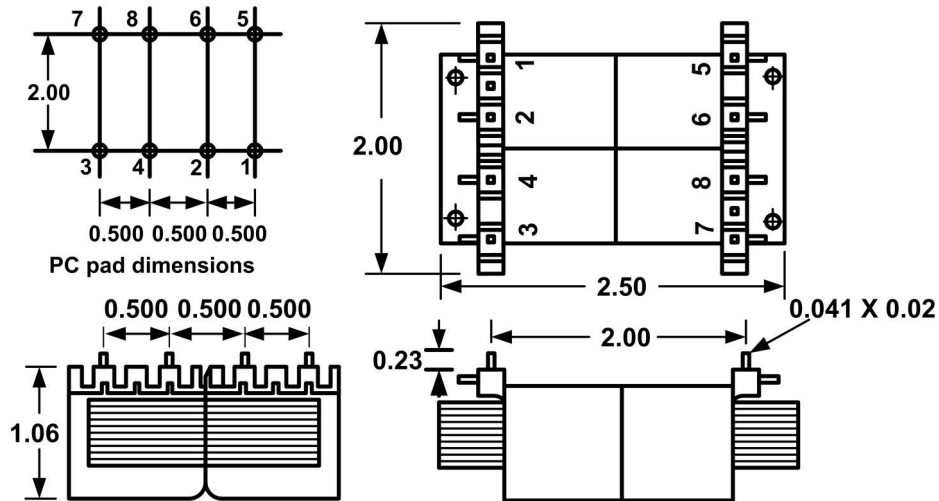


# FZ - PRINTED CIRCUIT MOUNT, LOW PROFILE POWER TRANSFORMER



1. Electrical Specifications
  - A. Maximum Power: 12VA
  - B. Input Voltage and Frequency: 115/230V @ 50/60Hz
  - C. Voltage Regulation: 20% TYP @ Full Load to No Load
  - D. Temperature Rise: 35°C TYP
  - E. Insulation Resistance: < 1 MEG ohm
  - F. Hi-Pot: 1500 Vrms 1 minute
2. Agency Approval:
  - UL/cUL 5085-2 Recognized (File E47299)
  - Insulation File No. E95662



Part No.	Series Connection	Parallel Connection
115/230V		
FZ 10-1200	10VCT @ 1.20A	5V @ 2.40A
FZ 12-900	12.6VCT @ 900MA	6.3V @ 1.80A
FZ 16-700	16VCT @ 700MA	8V @ 1.40A
FZ 20-600	20VCT @ 600MA	10V @ 1.20A
FZ 24-500	24VCT @ 500MA	12V @ 1.00A
FZ 30-400	30VCT @ 400MA	15V @ 800MA
FZ 34-340	34VCT @ 340MA	17V @ 680MA
FZ 40-300	40VCT @ 300MA	20V @ 600MA
FZ 56-200	56VCT @ 200MA	28V @ 400MA
FZ 88-130	88VCT @ 130MA	44V @ 260MA
FZ 120-100	120VCT @ 100MA	60V @ 200MA
FZ 230-50	230VCT @ 50MA	115V @ 100MA
WEIGHT : 11 Oz.		

	<b>POWER TRANSFORMER</b>	<b>FZ-10-XXX</b>	
CONTENTS OF THIS DRAWING ARE SUBJECT TO CHANGE WITHOUT PRIOR NOTICE	<b>Powervolt Inc.</b> 300 W Factory Road, Addison, IL-60101	Dim: Inches	Sheet 1 of 1
PROPRIETARY NOTICE: THIS DRAWING PRINT OR DOCUMENT AND SUBJECT MATTER DISCLOSED HEREIN ARE PROPRIETARY ITEMS TO WHICH WABASH TRANSFORMER RETAINS THE EXCLUSIVE RIGHT OF DISSEMINATION, MANUFACTURE AND SALE. THIS DRAWING, PRINT OR DOCUMENT IS SUBMITTED IN CONFIDENCE FOR CONSIDERATION BY THE RECIPIENT ALONE UNLESS PERMISSION FOR FURTHER DISCLOSURE IS EXPRESSLY GRANTED IN WRITING			