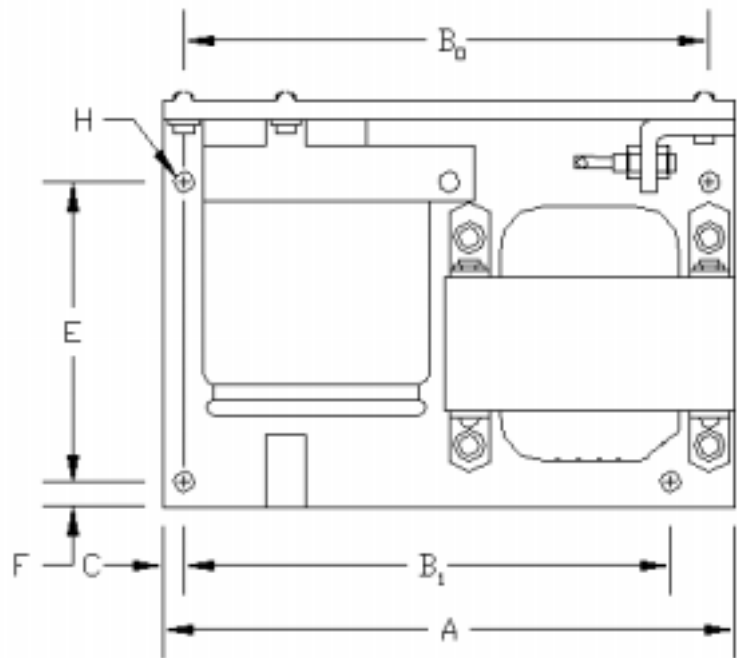
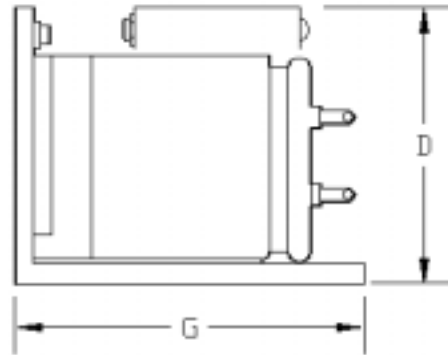


Part No.	Typical DC Output (@ nominal input and full load)
BVU-7AU1.8 BVU-12AU1.2 BVU-16AU0.9 BVU-20AU0.75 BVU-24AU0.6 BVU-48AU0.3 BVU-120AU0.12 BVU-250AU0.05	7.5V @ 1.8A 11V @ 1.2A 17V @ 0.9A 19.8V @ 0.75A 25V @ 0.6A 48V @ 0.3A 113V @ 0.12A 247V @ 0.05A
BVU-7BU3 BVU-12BU2.4 BVU-16BU1.8 BVU-20BU1.5 BVU-24BU1.2 BVU-48BU0.6 BVU-120BU0.25 BVU-250BU0.1	7.5V @ 3A 12V @ 2.4A 16V @ 1.8A 19.8V @ 1.5A 26.5V @ 1.2A 48V @ 0.6A 120V @ 0.25A 248V @ 0.1A
BVU-7CU6 BVU-12CU4.8 BVU-16CU3.6 BVU-20CU3 BVU-24CU2.4 BVU-48CU1.2	7.5V @ 6A 12V @ 4.8A 16V @ 3.6A 19.8V @ 3A 26.5V @ 2.4A 48V @ 1.2A
BVU-7DU10 BVU-12DU7 BVU-16DU6 BVU-20DU5 BVU-24DU3.5 BVU-48DU1.8	8.5V @ 10A 12.5V @ 7A 17V @ 6A 19.48V @ 5A 25.5V @ 3.5A 48V @ 1.8A
BVU-7EU20 BVU-12EU15 BVU-16EU12.5 BVU-20EU10 BVU-24EU7.5 BVU-45EU6 BVU-48EU4 BVU-72EU3	9V @ 20A 12.5V @ 15A 16.5V @ 12.5A 20V @ 10A 27.5V @ 7.5A 45V @ 6.0A 47V @ 4A 72V @ 3A
BVU-24FU20 BVU-45FU12 BVU-48FU10 BVU-75FU5	24.6V @ 20A 45V @ 12A 48.4V @ 10A 75V @ 5A
BVU-24GU30 BVU-48GU15 BVU-65GU15 BVU-75GU10	24.6V @ 30A 48V @ 15A 65V @ 15A 75V @ 10A



Dimensions										
Case Size	A	Bo	B1	C	D	E	F	G	H (dia)	Wt (lbs)
AU	4.62	4.00	NA	.31	2.09	1.60	.31	2.75	.20	1.7
BU	5.88	5.38	NA	.25	2.72	2.19	.31	3.25	.22	2.6
CU	6.25	5.65	5.15	.25	3.00	2.73	.35	3.71	.22	4.0
DU	7.12	6.42	5.87	.35	3.25	2.88	.30	4.00	.22	6.7
EU	8.10	7.50	6.90	.25	3.88	3.80	.30	5.00	.26	12.2
FU	9.00	8.24	NA	.35	4.62	2.50	1.56	5.62	.28	20.0
GU	9.50	8.50	NA	.50	5.56	6.62	.50	8.00	.28	28.5